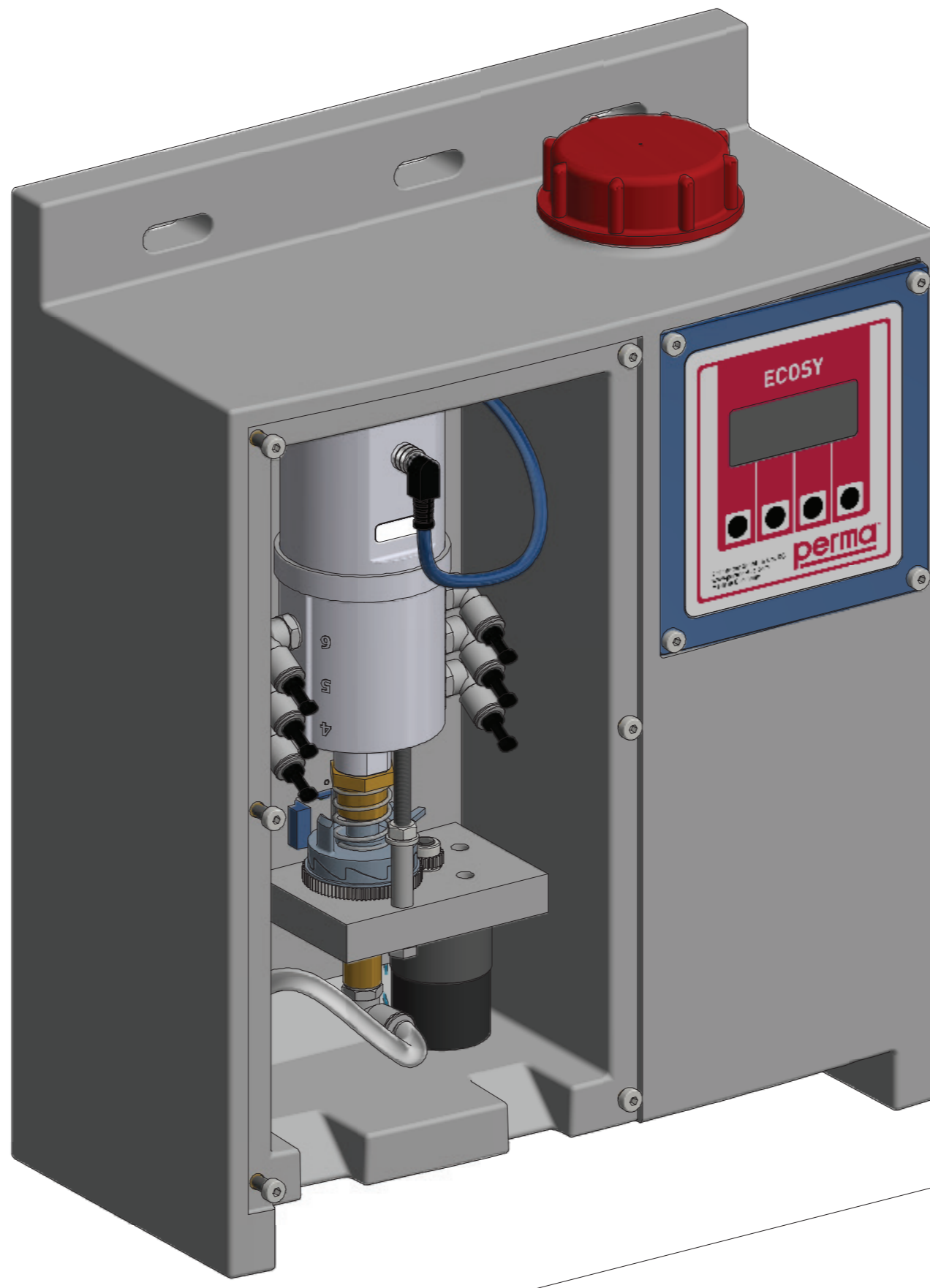


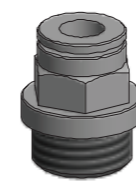
All metal to metal connections must be glued together with Loctite® 243™ (Art. No. 110278).



perma ECOSY



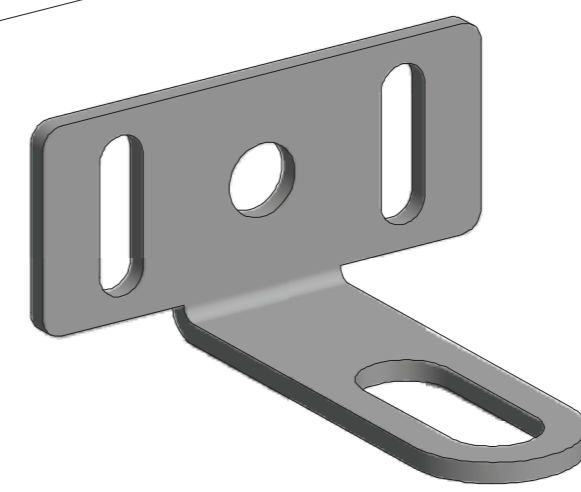
Art. No. 101494



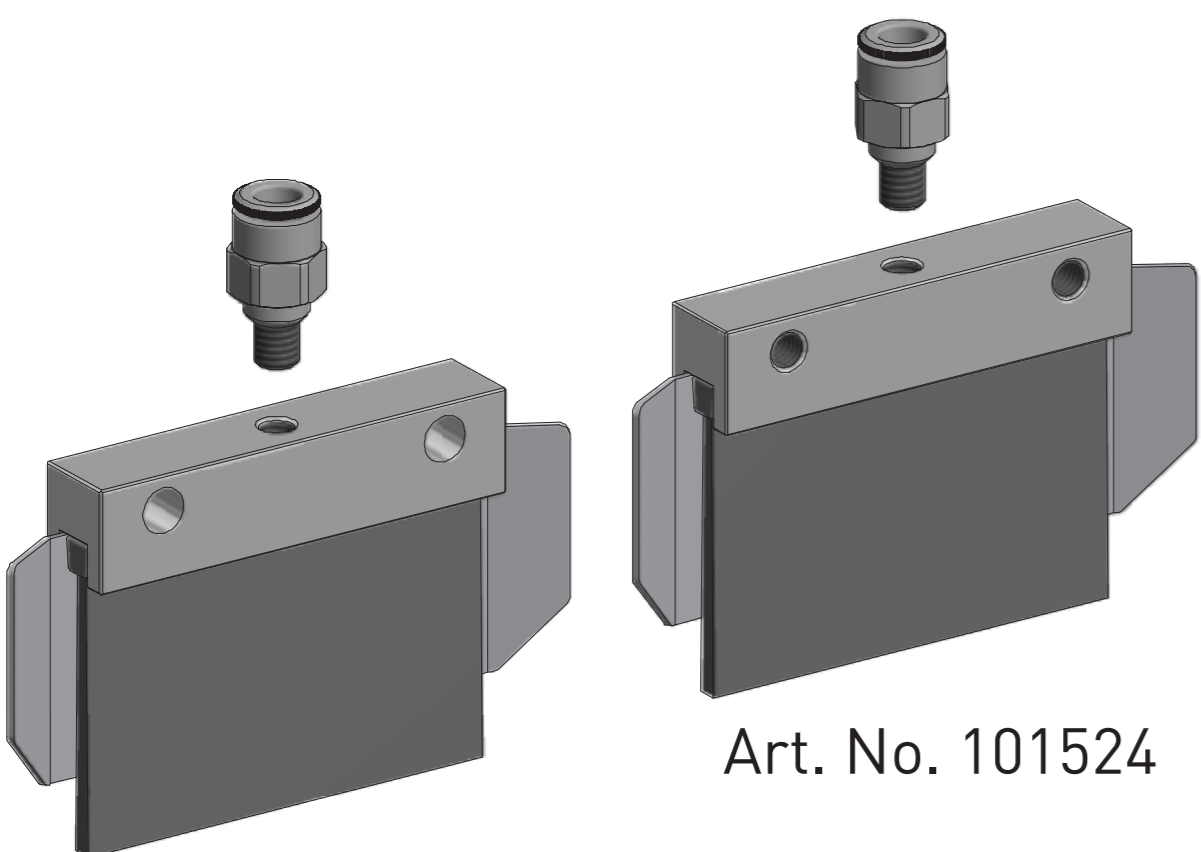
Art. No. 101447



Art. No. 104862

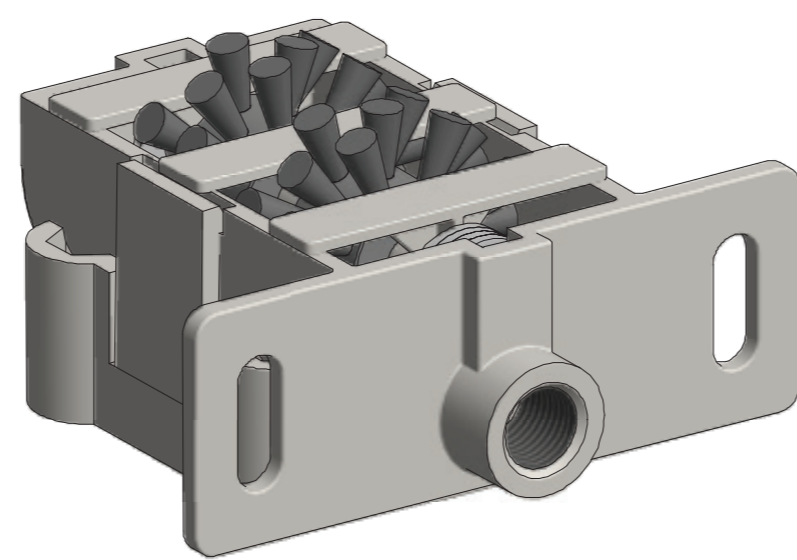


Art. No. 104864

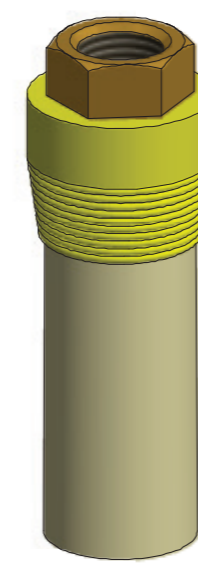


Art. No. 101525

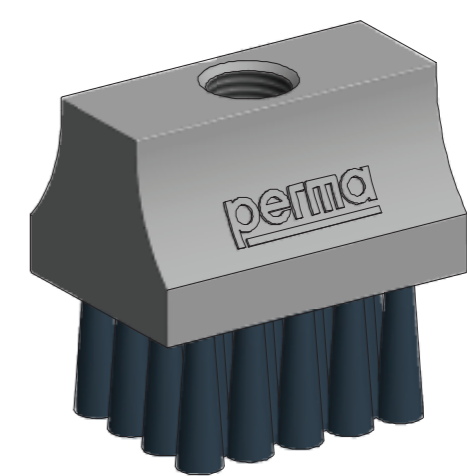
Art. No. 101524



Art. No. 101445



Art. No. 101396



Art. No. 101397

For more connecting parts please see our perma catalog at www.perma-tec.com

- 101494 Tube up to +100 °C oØ 6 mm x iØ 4 mm (PA) - for ECOSY -
- 101447 Tube connector G1/4 male for tube oØ 6 mm straight (brass nickel-plated)
- 104862 Oil retaining valve G1/4 male x G1/4 female up to +60 °C (brass with plastic valve)
- 101524 Special brush for large chains up to +80 °C with tapped bore M6 (alu / polypropylene)
- 101525 Special brush for large chains up to +80 °C with through hole (alu / polypropylene)
- 101445 Multipurpose chain lubrication box (plastic)
- 104864 Bracket (stainless steel)
- 101396 Oil brush Ø20 mm G1/4 female
- 101397 Oil brush 40 x 30 mm G1/4 female thread on top

All metal to metal connections must be glued together with Loctite® 243™ (Art. No. 110278).

For more connecting parts please see our perma catalog at www.perma-tec.com