

perma FUTURA perma FUTURA PLUS

Installation Guide





1. Basic guidelines

Page 3



2. Mounting types

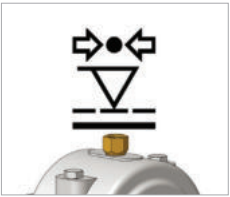
Page 4 - 6

- Direct mounting
- Remote mounting with tube / hose
- Mounting of oil filled units



3. Preparation of lubrication point

Page 7 - 8



4. Pressure testing

Page 9 - 10

- Pressure test procedure



5. Activation and installation

Page 11



6. Identification of lubrication system

Page 11

This installation guide provides instructions for the installation of perma FUTURA | perma FUTURA PLUS and helps in preventing basic mounting errors. The guide should be used with the operating instructions.

Drawings are only examples. There are many other possibilities for mounting, depending on local conditions.

Disclaimers of corresponding operating instructions apply.

Installation guides do not affect validation of the operating instructions.

Basic guidelines

- perma FUTURA | perma FUTURA PLUS is a single-point lubrication system. You must use a separate lubrication system for each lubrication point.
- The connection thread of perma FUTURA | perma FUTURA PLUS is BSP R $\frac{1}{4}$ male thread.
- Replace the application's grease fitting with a suitable reducer. perma offers a wide assortment of reducers, extensions, tubes / hoses, brackets and other accessories. See our product catalogue for the entire overview on perma accessories.
- Ensure that the lube point is prefilled with fresh lubricant before installation. perma offers all of its lubricants in 400 g cartridges for grease guns.
- Select the right lubricant for your application. perma offers a wide variety of standard lubricants for different applications. See our product catalogue for further information.
- All metal to metal connections must be glued together with Loctite® 243™.
- Fill grease lines and accessories with the same lubricant that is contained in the lubrication system.
- For managing several lubrication points we recommend the use of a lubrication maintenance plan. You can use the free perma CONNECT software for online administration.
- Please check our product catalogue for more information on how to select suitable lubricant and activator screw (perma FUTURA) / activation cap (perma FUTURA PLUS). You may also download our free perma SELECT APP which is a great tool for the selection of the right lubrication system, lubricant and discharge period.



1 month



3 months



6 months



12 months



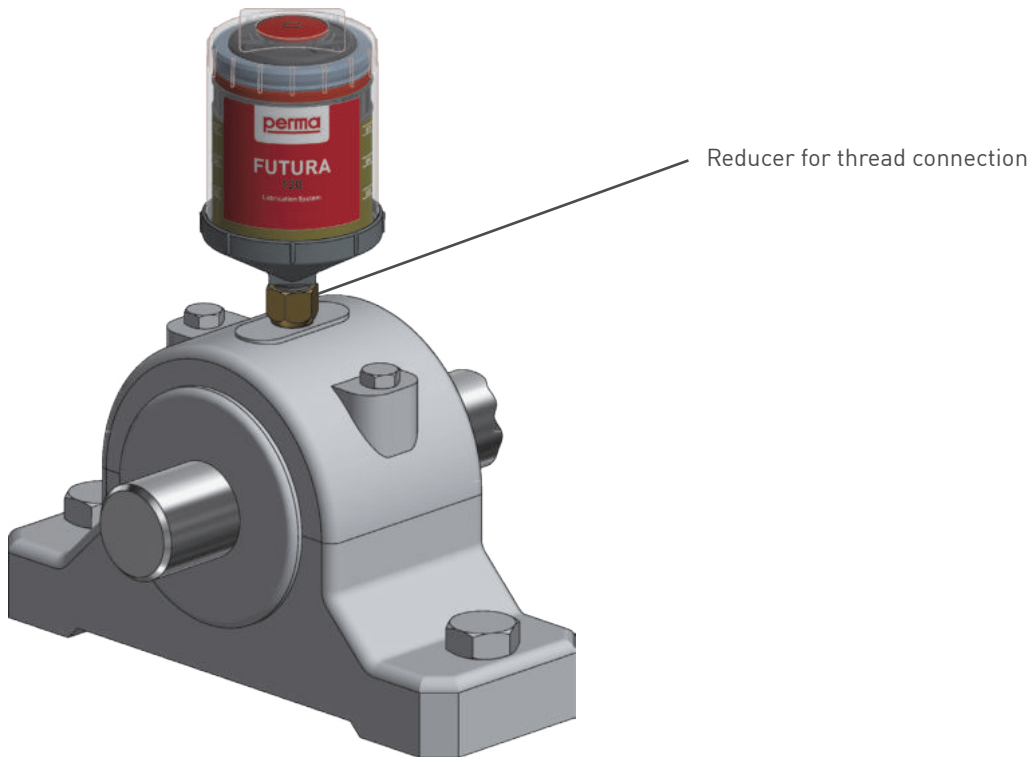
Visit our webpage www.perma-tec.com for further information about perma products



Mounting types

Direct mounting

Direct mounting should be preferred for all lubrication points, to protect the lubrication system against high pressure.



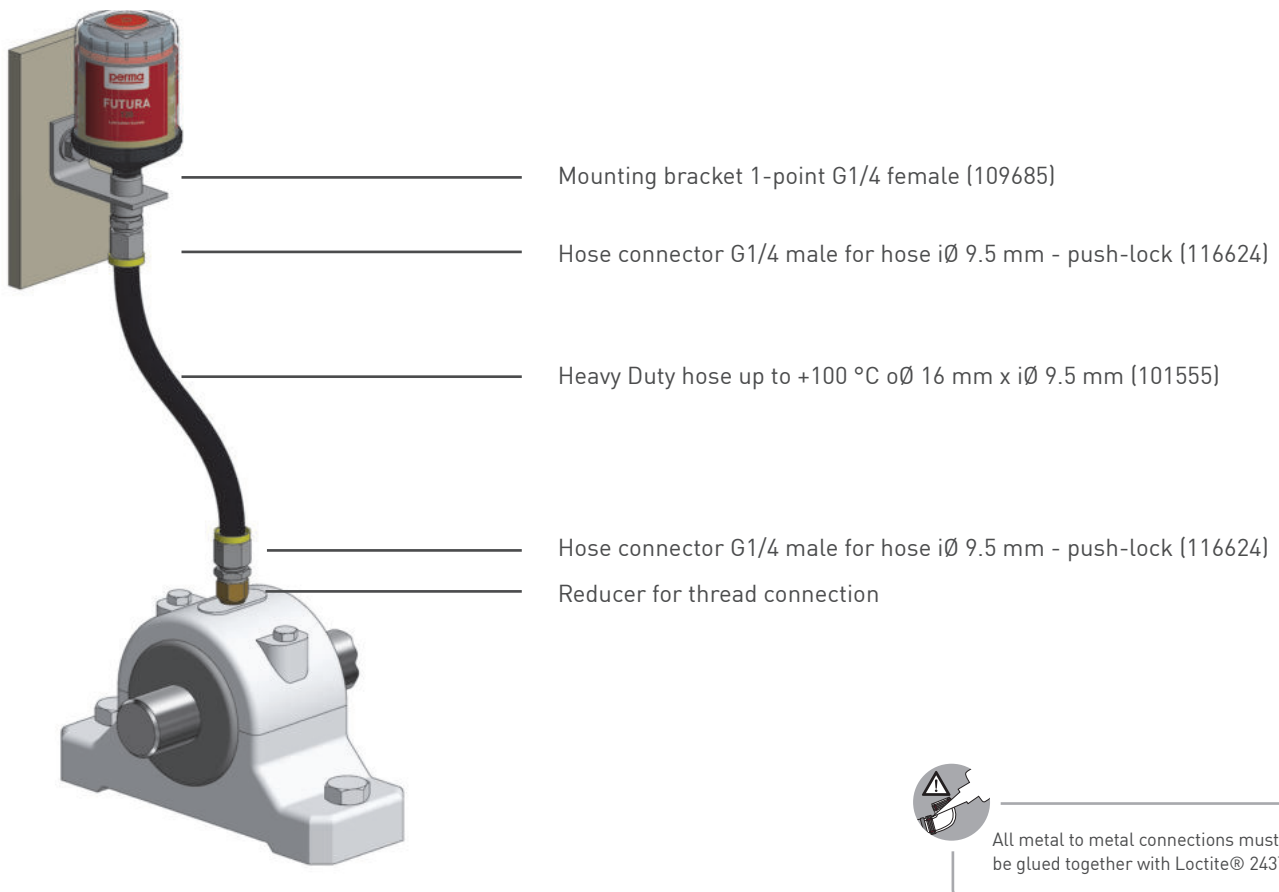
Installation of perma FUTURA | perma FUTURA PLUS is possible in all directions.



Remote mounting with tube / hose

Remote mounting is recommended if,

- the ambient temperature of the lubrication point is permanently higher than +40 °C
- the lubrication point is exposed to high vibrations
- no direct access to lubrication point is possible due to safety issues (e. g. removal of protective screens, safety walls or cages)
- it is difficult or dangerous to access the lubrication point
- the lubrication system is exposed to mechanical forces (e. g. falling rocks)



- Keep connection lines as short as possible and use tubes / hoses with an inside diameter of at least 6 mm. Keep in mind that tube / hose length and bore diameter of bearing housings affect pressure and discharge period of the lubrication system.
- For installation of perma FUTURA | perma FUTURA PLUS use Mounting bracket 1-point G1/4 female (109685).
- Secure tubes / hoses with suitable fastenings (brackets, cable ties) to protect against damage and tearing.
- Depending on lubricant and ambient temperature, different tube / hose lengths are possible, e. g.

→ perma MULTI LC 150-2 (SF01): 1 m (+20 °C)
→ perma MULTI 100 (S032): 3 m (+20 °C).

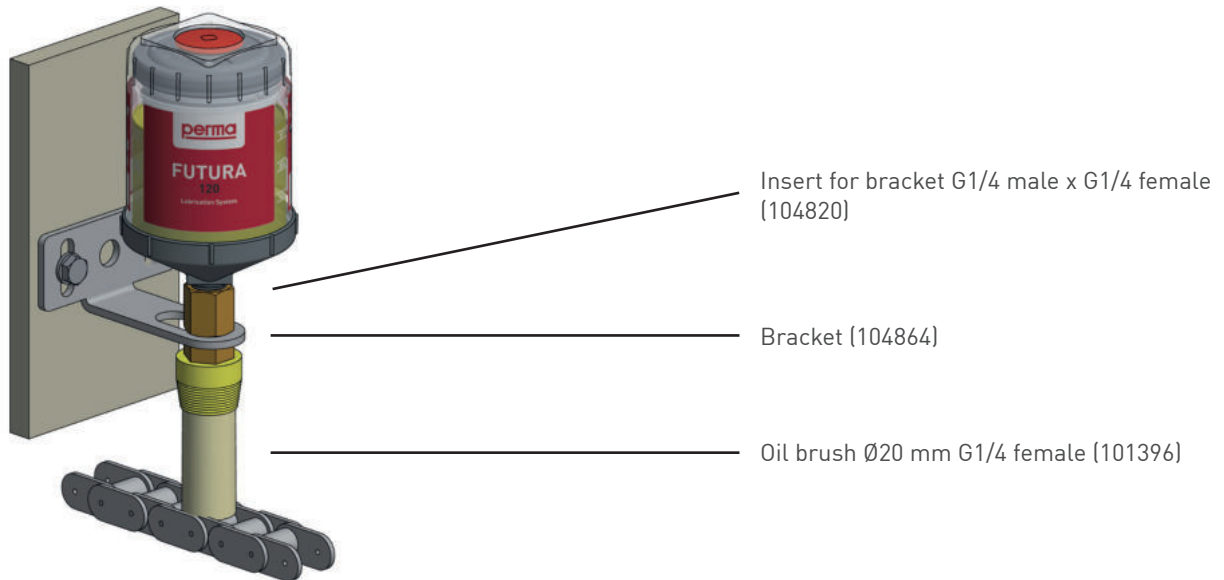


All metal to metal connections must be glued together with Loctite® 243™

Mounting of oil filled units

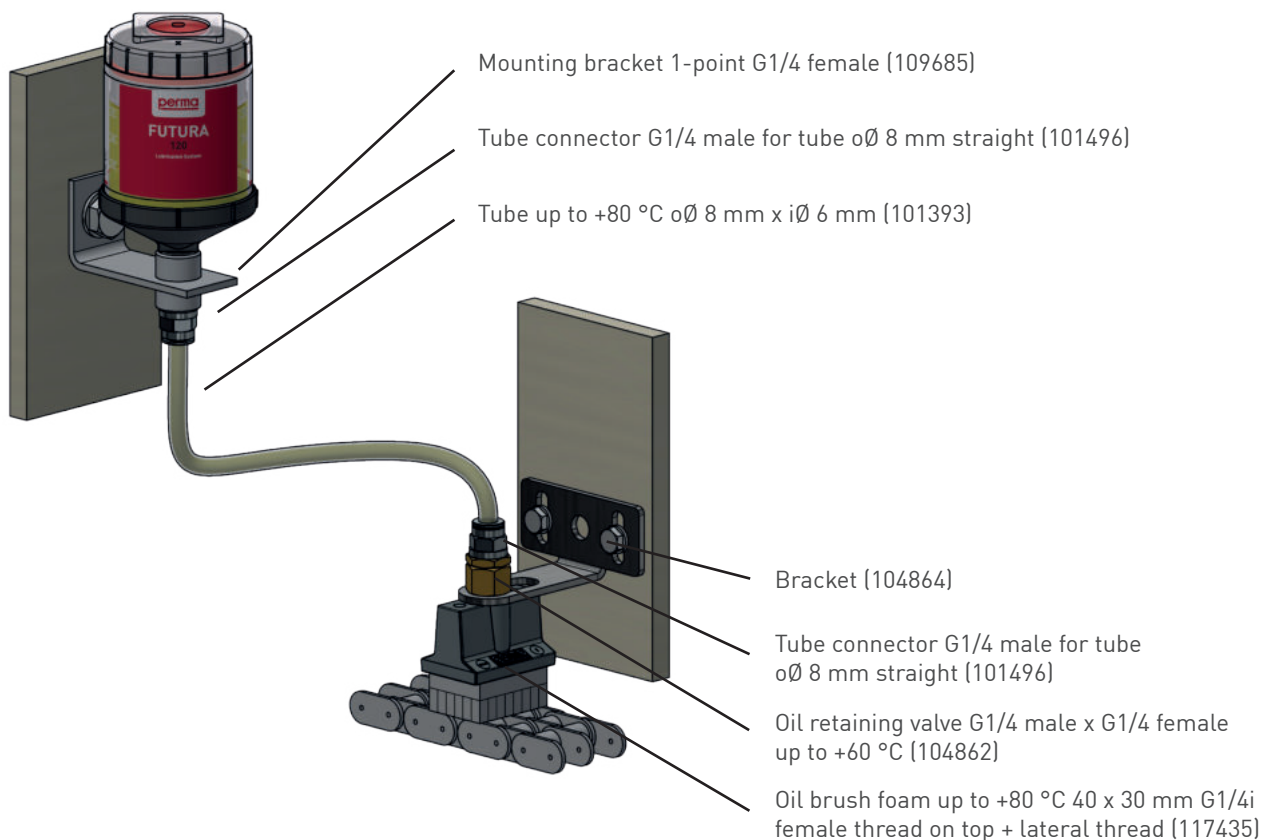
Direct mounting

All oil filled perma FUTURA | perma FUTURA PLUS come with an integrated oil retaining valve. They can be installed directly on a lubrication brush without the need for an additional oil valve.



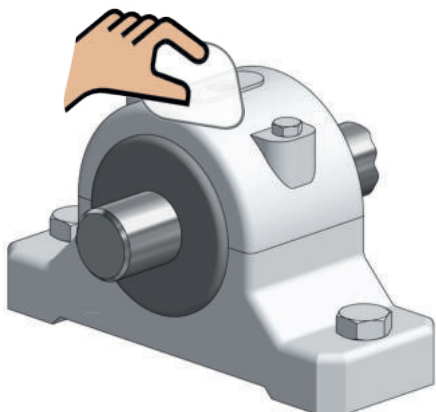
Remote mounting

Remote installations of oil filled perma FUTURA | perma FUTURA PLUS require an oil retaining valve at the lowest point of the application. This will prevent oil leakage from the lubrication system.

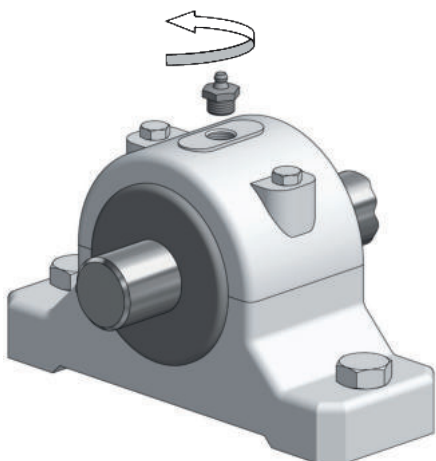


Preparation of lubrication point

1. Prior to installation, lubrication point must be cleaned to protect against contamination.



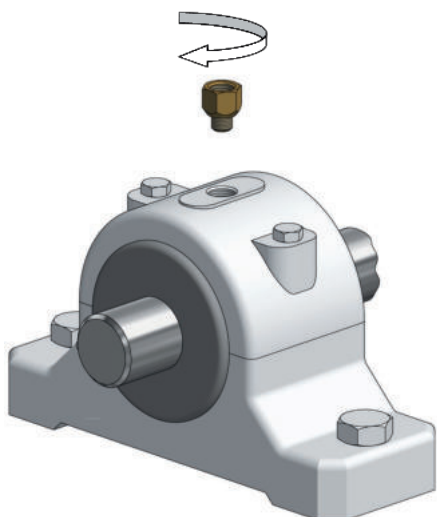
2. Remove grease nipple or plug screw of connecting thread and check thread size.



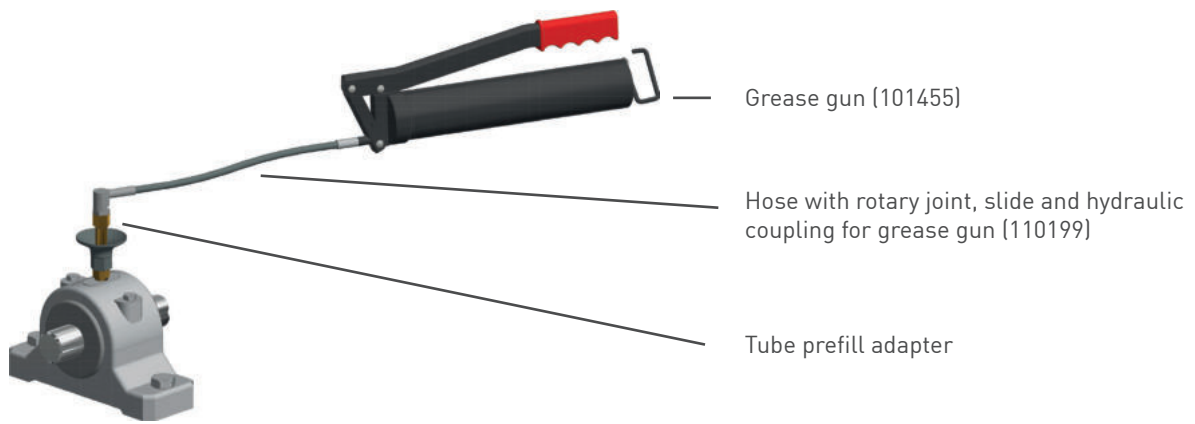
Determine thread size at the lubrication point with perma fitting thread tester **Art. No. 110374**



3. Insert reducer and install tube / hose and necessary accessory parts.



4. Lubrication point, accessory parts and tubes / hoses must be pre-filled with lubricant.
This enables the lubricant to immediately reach the lubrication point.



5. Prefill lubrication point and all grease lines for remote installation.

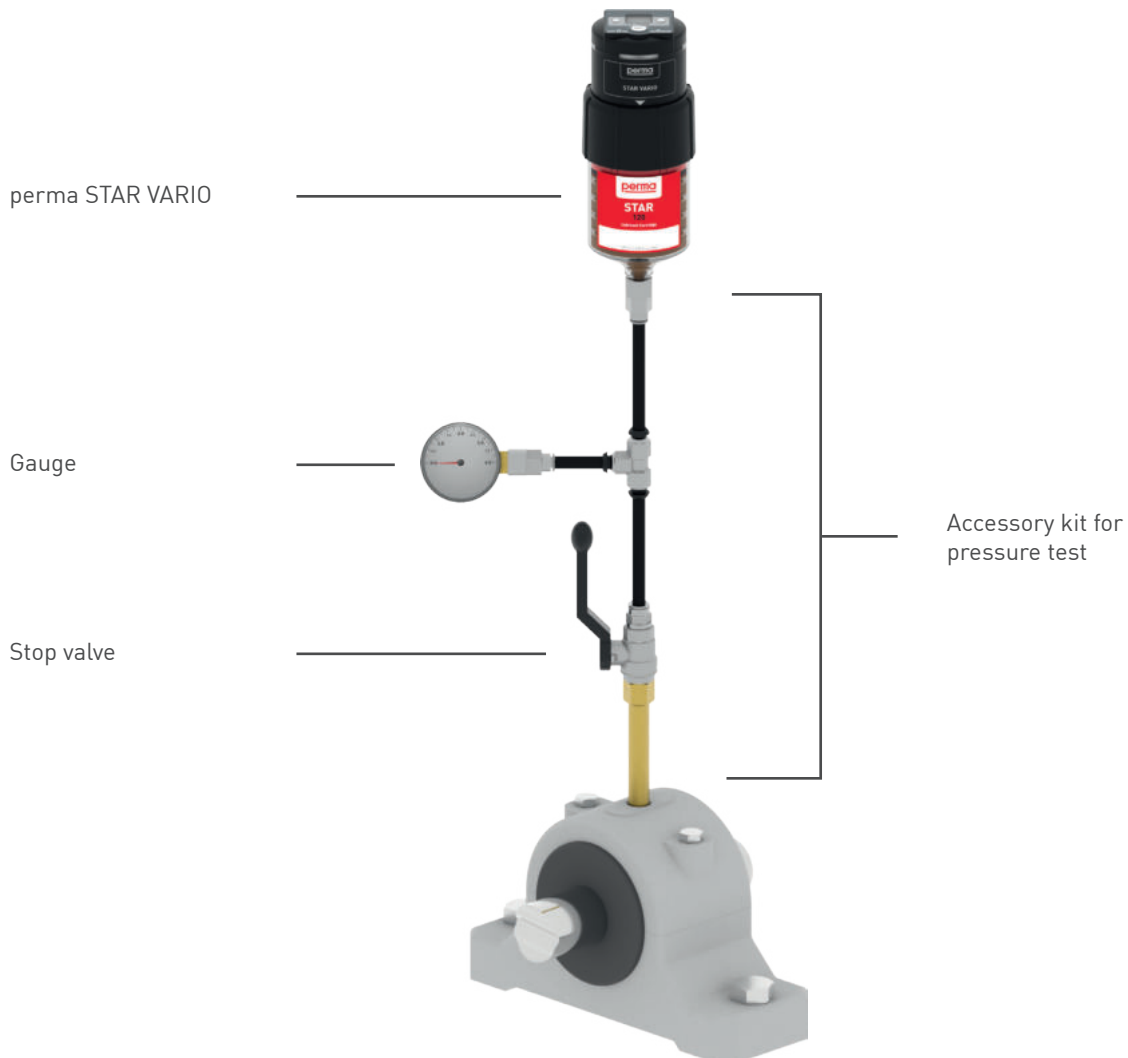


6. Use a tube prefill adapter to prefill lubrication point and grease lines:
KIT TUBE PREFILL ADAPTERS (117907)

Pressure testing

Check counter pressure at lubrication point before installing the lubrication system to guarantee correct function.

Most bearings require 0.5 - 2 bar pressure (without extension tubes / hoses). perma FUTURA | perma FUTURA PLUS can be used for these lubrication points.



For pressure testing please use perma STAR VARIO with Accessory kit for pressure test (101480).

Be sure to use the same lubricant for both, prefilling and LC of perma STAR VARIO.



Accessory kit for pressure test (101480)
(order lubrication system separately)

Pressure test procedure

1. Remove grease nipple.
2. Screw reducer onto lube point and connect pressure testing kit.
3. Connect perma STAR VARIO to the open outlet.
4. Turn machines on to ensure that lube point is in use and measuring of corresponding counter pressure is possible (Caution: Observe accident prevention regulations).
5. Open stop valve.
6. Push SET button on perma STAR VARIO for approx. 10 seconds until PU lights up on display to trigger an additional discharge / purge.
7. Watch the pressure on the gauge during the additional discharge. If pressure exceeds 7.5 bar the lubrication system will shut off automatically.
8. If pressure doesn't rise any more during the additional discharge, max injection pressure has been reached. In order to find out the required system pressure you must wait another 5 minutes. The gauge will then show the system pressure.
9. If system pressure exceeds 2 bar you need to „purge“ the lube point by using a mechanical grease gun. Proceed with steps 6 and 7.
10. If counter pressure doesn't decrease you need to either select a different lubricant or a different lubrication system. Please ask perma-tec to assist you in this matter.

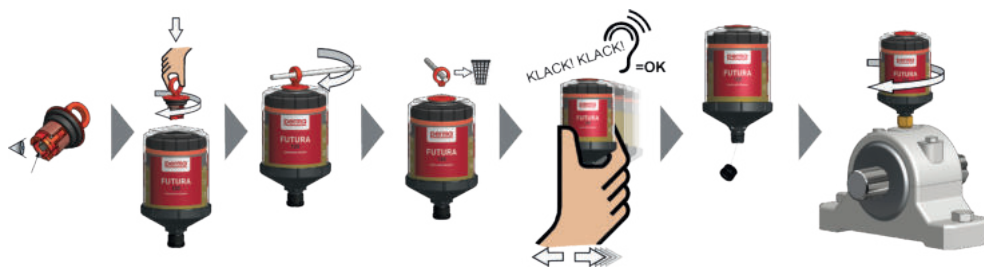


Activation and installation

Start up as following (also refer to operating instructions):

perma FUTURA:

1. Check activator screw to ensure that it contains the gas generating pellet
2. Screw activator screw into the lubrication system
3. Screw activator screw until screw-ring breaks off
4. Shake lubrication system and listen to ensure that the pellet has fallen into the bladder
5. Remove plug and screw lubricator into lube point



perma FUTURA PLUS:

1. Rotate activation cap 2 - 3 turns (clockwise)
2. Shake lubrication system and listen. Rattling noise indicates that the activation element was released and has fallen into the electrolyte liquid
3. Remove plug and screw lubrication system into the prepared lubrication point



Identification of lubrication system

The label of the lubrication system shows product-code, manufacturing date, traceability number, lubricant code and article number.

<p>CE Ex II 2D h III C T80°C Db X II 2G h IIC T6 Gb X I M2 h Mb X 0°C ≤ Ta ≤ 40°C</p> <p>01/24 07/24</p> <p>FUTURA manufactured by: perma-tec GmbH & Co. KG Hammelburger Str. 21 97717 EUERDORF www.perma-tec.com Tel.: +49 9704 609-0 Made in Germany</p>	<p>1/1</p> <p>3/4</p> <p>1/2</p>	<p>perma</p> <p>FUTURA</p> <p>120</p> <p>Lubrication System</p> <p>Art. No. 106997 FU-2401-37337 perma MULTI LC 150-2 (SF01)</p> <p>120 cm³ / 4.06 fl.oz. (US)</p>	<p>1/1</p> <p>3/4</p> <p>1/2</p>	
--	----------------------------------	--	----------------------------------	--

Installation date and exchange date
(to be added by operator)

Art. No. | Serial number
(product designation - year / week of
manufacture - internal no.)

Lubricant designation



perma-tec GmbH & Co. KG

Hammelburger Str. 21
97717 Euerdorf
GERMANY

Tel.: +49 9704 609 - 0
info@perma-tec.com
www.perma-tec.com

