

SPINDLES & OPEN GEARS

perma lubrication systems in operation



The demand for ever higher transferable power and torques with simultaneous reduction in size and weight is often difficult to achieve in practice. This makes it all the more important to apply effective lubrication, which helps to optimise spindles and open gears.

Challenges

perma lubrication systems with suitable accessories for applying the lubricant to the gear surface guarantee effective relubrication. Permanent renewal of the lubricant film with subsequent lubricant distribution to additional gear wheel pairs helps to reduce wear in the long-term and increases gear wheel service life.

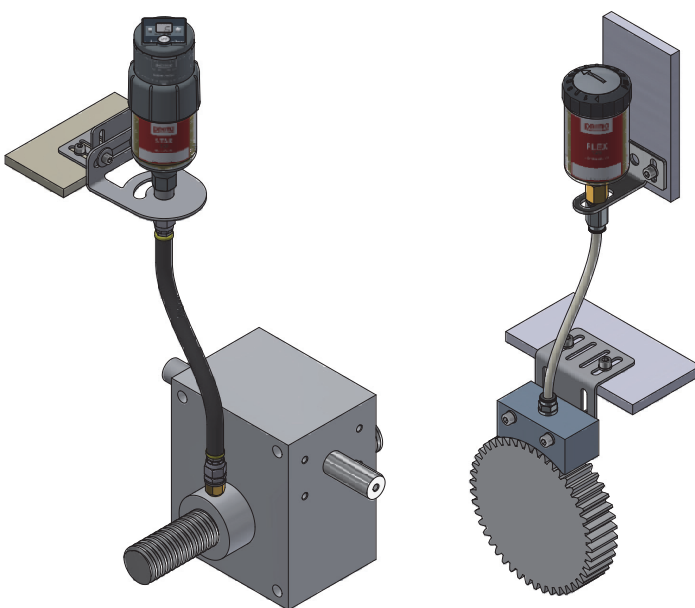
Large gear ring drives are used where heavy loads need to be moved, e.g. in rotary kilns and ball mills. Because of their occasionally considerable dimensions, the gear teeth on gear rings often cannot be effectively protected against environmental impacts.

Open gear ring and spindle drives often come into contact with dirt or dust, such as cement or coal dust, which accelerates wear and corrosion.

- Dust, liquids and contamination
- Environmental impacts
- Oscillations and vibrations
- High temperatures
- High stress load



Lubrication points



Relubrication is especially important for enhancing the service life and availability of gear ring drives. Right at the beginning of the bedding-in phase, care must be taken that the tooth flank surfaces are smooth. Lubrication is provided directly at the wear points via special lubrication pockets.



Industries



Automotive



Recycling



Food & Beverage



Wastewater treatment

Solutions

The development of perfect lubrication solutions requires the consideration of various factors, such as application type, speed and load of the machine as well as ambient temperature.

perma has risen to this challenge, focusing on the development and production of automatic lubrication systems for use across a variety of industries. These solutions have been created in close cooperation with maintenance professionals from various global sectors, addressing the unique demands of each application. In adherence to the highest quality standards, premium-grade raw materials and lubricants are used in the manufacturing process. This ensures that perma products consistently deliver reliable lubrication across all applications, thereby increasing the equipment service life while at the same time minimising costs and operational effort.

Automatic lubrication with perma lubrication systems

- Lubrication systems available in varying sizes
- Simple mounting directly at the lubrication point
- The right lubricant can be selected for every lubrication point

