

perma ULTRA

Installation Guide





1. Basic guidelines

Page 3



2. Mounting

Page 4 - 5

- Remote mounting with hose
- ACCESSORY KITS and INSTALLATION KITS ULTRA Standard Duty
- ACCESSORY KITS and INSTALLATION KITS ULTRA Heavy Duty



3. Preparation of lubrication point

Page 6 - 7



4. Activation and installation

Page 8



5. Identification of lubrication system

Page 8

This installation guide provides instructions for the installation of perma ULTRA and helps in preventing basic mounting errors. The guide should be used with the operating instructions.

Drawings are only examples. There are many other possibilities for mounting, depending on local conditions.

Disclaimers of corresponding operating instructions apply.

Installation guides do not affect validation of the operating instructions.

Basic guidelines

- perma ULTRA is a single-point lubrication system. You must use a separate lubrication system for each lubrication point.
- Use an INSTALLATION KIT ULTRA or an ACCESSORY KIT ULTRA for mounting the perma ULTRA.
- Replace the application's grease fitting with a suitable reducer. perma offers a wide assortment of reducers, extensions, tubes / hoses, brackets and other accessories. See our product catalogue for the entire overview on perma accessories.
- Ensure that the lubrication point is prefilled with fresh lubricant before installation. perma offers all of its lubricants in 400 g cartridges for grease guns.
- Select the right lubricant for your application. perma offers a wide variety of standard lubricants for different applications. See our product catalogue for further information.
- All metal to metal connections must be glued together with Loctite® 243™.
- Fill grease lines and accessories with the same lubricant that is contained in the lubrication system.
- For managing several lubrication points we recommend the use of a lubrication maintenance plan. You can use the free perma CONNECT (<https://www.perma-tec.com/en/service/perma-connect-app/>) software for online administration.
- Information about the selection of suitable lubricants can be found in our product catalogue. Selection is also possible via the perma SELECT APP (<https://www.perma-tec.com/en/service/perma-select-app/>). This free software helps you find the most suitable lubrication system, the ideal lubricant and the right discharge period.

Mounting

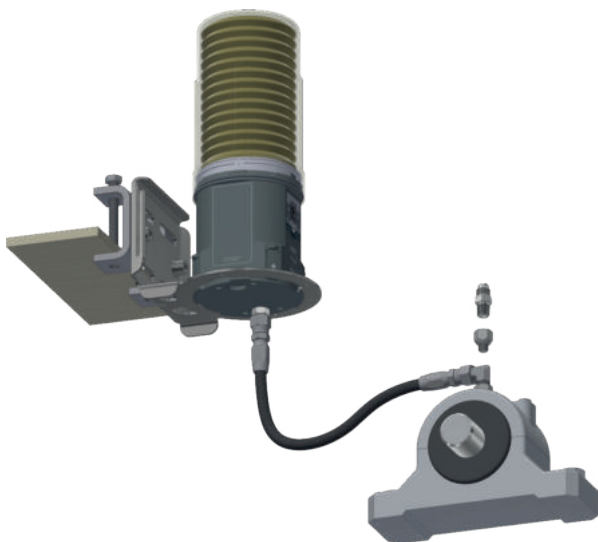
Remote mounting with hose

Remote mounting is generally intended for perma ULTRA.

- Keep connection lines as short as possible and use only Extreme Heavy Duty hose. Keep in mind that tube / hose length and bore diameter of bearing housings affect pressure and discharge period of the lubrication system.
- For installation of perma ULTRA use Mounting bracket ULTRA.
- Secure hoses with suitable fastenings (brackets, cable ties) to protect against damage and tearing.
- Depending on lubricant and ambient temperature, different tube / hose lengths are possible, e. g.

→ perma Multipurpose grease SF01: 20 m (+20 °C).

Standard Duty



Heavy Duty



All metal to metal connections must be glued together with Loctite® 243™

ACCESSORY KITS and INSTALLATION KITS ULTRA Standard Duty

ACCESSORY KITS and INSTALLATION KITS ULTRA Standard Duty have been especially designed for operation under normal ambient conditions. The kits contain all necessary parts, including a reducer M10x1 and G1/8. Unlike the ACCESSORY KITS, the INSTALLATION KITS do already contain the hose.

Beam clamp mount



INSTALLATION KIT ULTRA Standard Duty

1-point 65 mm beam clamp mount
incl. 5 m hose
Art. No. 116339

ACCESSORY KIT ULTRA Standard Duty

1-point 65 mm beam clamp mount
without hose
Art. No. 116335

Cage hanger mount



INSTALLATION KIT ULTRA Standard Duty

1-point cage hanger mount
incl. 5 m hose
Art. No. 116340

Accessory Kit ULTRA Standard Duty

1-point cage hanger mount
without hose
Art. No. 116336

ACCESSORY KITS and INSTALLATION KITS ULTRA Heavy Duty

ACCESSORY KITS and INSTALLATION KITS ULTRA Heavy Duty have been specifically designed for use in operational areas with harsh ambient conditions. The kits contain all necessary parts, including a protection cap ULTRA Heavy Duty, a purge connection with manual valve and a reducer M10x1 and G1/8. Unlike the ACCESSORY KITS, the INSTALLATION KITS do already contain the hose.

Beam clamp mount



INSTALLATION KIT ULTRA Heavy Duty

1-point 65 mm beam clamp mount
incl. 5 m hose
Art. No. 116341

ACCESSORY KIT ULTRA Heavy Duty

1-point 65 mm beam clamp mount
without hose
Art. No. 116337

Cage hanger mount



INSTALLATION KIT ULTRA Heavy Duty

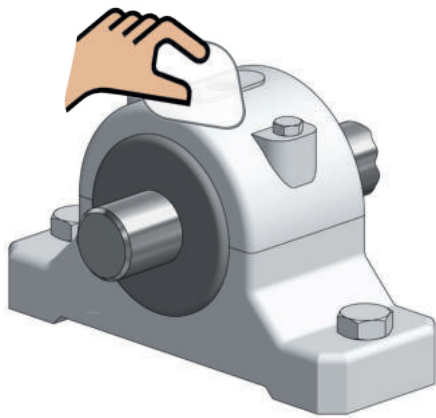
1-point cage hanger mount
incl. 5 m hose
Art. No. 116342

ACCESSORY KIT ULTRA Heavy Duty

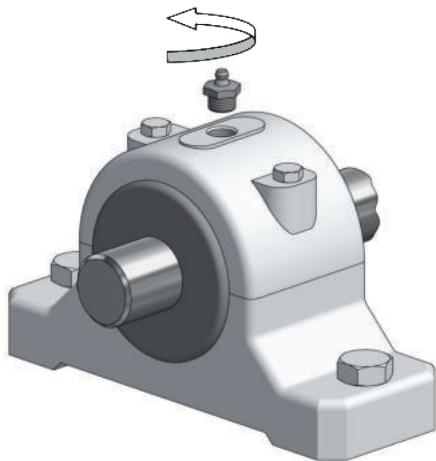
1-point cage hanger mount
without hose
Art. No. 116338

Preparation of lubrication point

1. Prior to installation, lubrication point must be cleaned to protect against contamination.



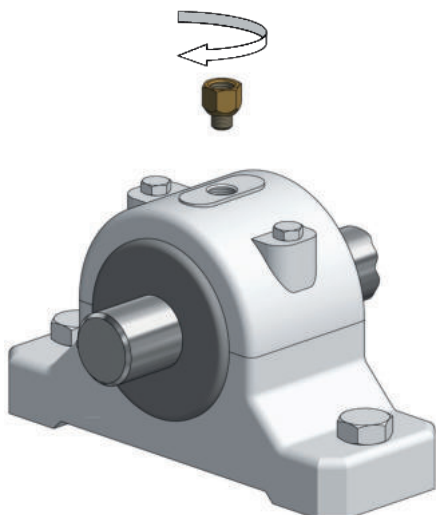
2. Remove grease nipple or plug screw of connecting thread and check thread size.



Determine thread size at the lubrication point with perma fitting thread tester **Art. No. 110374**



3. Insert reducer and install tube / hose and necessary accessory parts.



All metal to metal connections must be glued together with Loctite® 243™

4. Lubrication point, accessory parts and tubes / hoses must be pre-filled with lubricant. This enables the lubricant to immediately reach the lubrication point.

Standard Duty



Heavy Duty

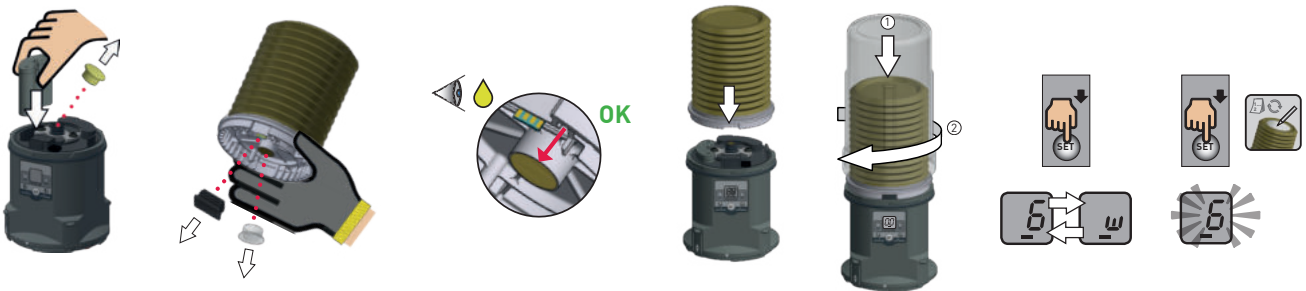


5. Use a prefill adapter, e.g. KIT TUBE PREFILL ADAPTERS (117907), to prefill lubrication point and grease lines when using INSTALLATION | ACCESSORY KIT Standard Duty.

Activation and installation

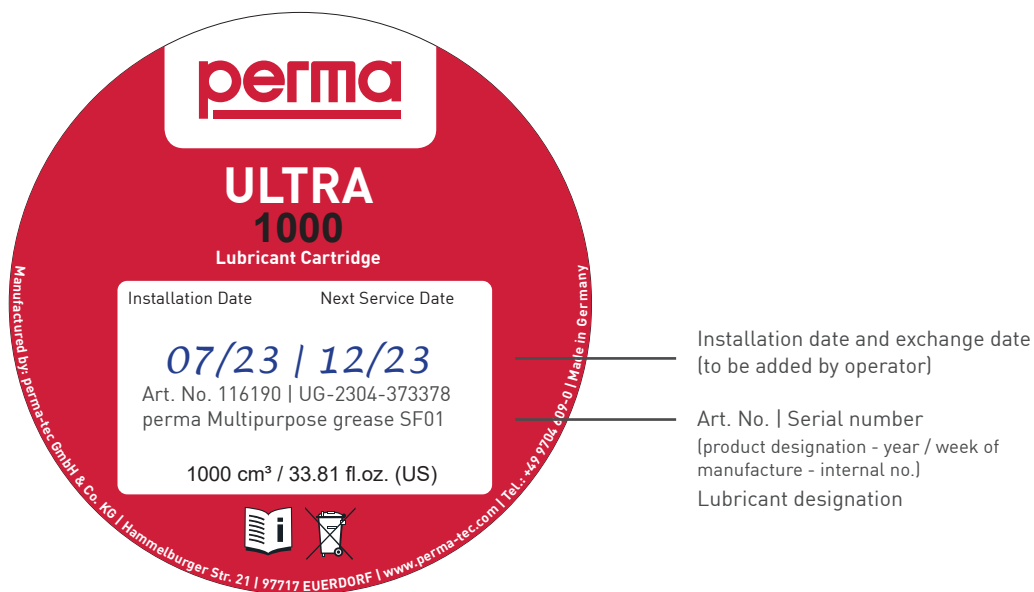
Start up as following [also refer to operating instructions]:

1. Insert the battery pack into the drive and click it into place; remove plug from drive and dispose of it.
2. Remove transport protection and plug and dispose of it.
3. Ensure that grease completely fills the LC outlet; there must be no air pocket in the LC.
4. Place LC on center of drive and adjust it with front lug until it catches; system automatically recognizes LC size.
5. Place cover over LC and turn until it catches.
6. Set unit of time (m, w) by pressing the SET button: 1x = m (months) | 2x = w (weeks).
7. Set the discharge period; note activation / exchange date on label



Identification of lubrication system

The label of the lubrication system shows product-code, manufacturing date, traceability number, lubricant code and article number.





perma-tec GmbH & Co. KG
Hammelburger Str. 21
97717 Euerdorf
GERMANY

Tel.: +49 9704 609 - 0
info@perma-tec.com
www.perma-tec.com

